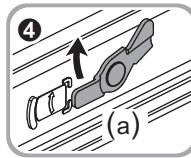
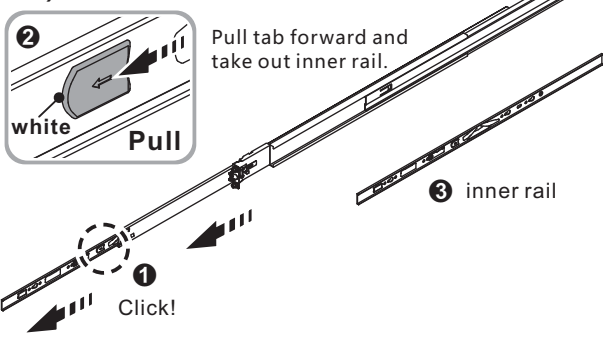


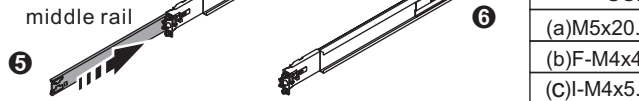
King Slide® — AA612 Instruction

1-1) Remove the inner rail.

1-2) Push (a) and slide middle rail back.



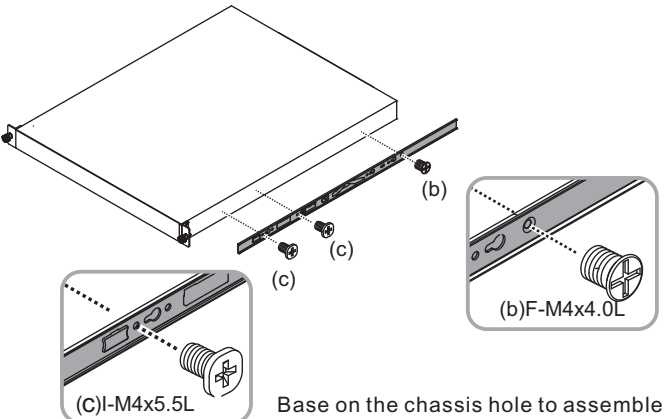
Push tab to slide the middle rail.



SCREW PACK

(a) M5x20.0L-P0.8	⊕	⊔
(b) F-M4x4.0L-P0.7	⊕	⊔
(C) I-M4x5.5L-P0.7	⊕	⊔
(d) PIN(FOR Ø7.1)	⊕	⊔

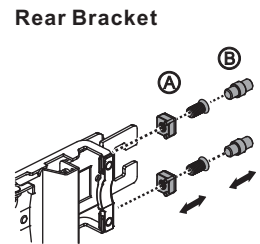
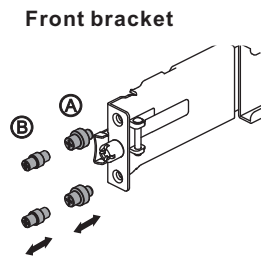
2) Install the inner rail onto the chassis.



3) Check hole type on rack post. Choose suitable pin of bracket to install if needed.

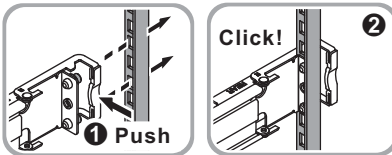
Ⓐ 9.5 Square Hole (Pre-installed)

Ⓑ 7.1 Round Hole

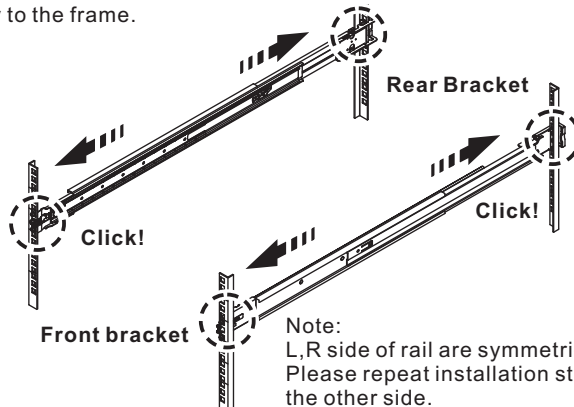
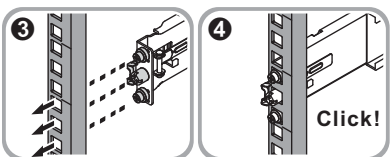


4) Fix the outer rail/bracket assembly to the frame.

Rear Bracket



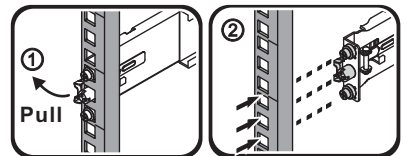
Front bracket



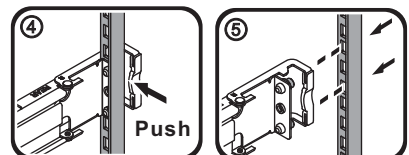
Note:
L,R side of rail are symmetrical.
Please repeat installation step for the other side.

Detach Bracket from Rack Post

Front bracket



Rear Bracket



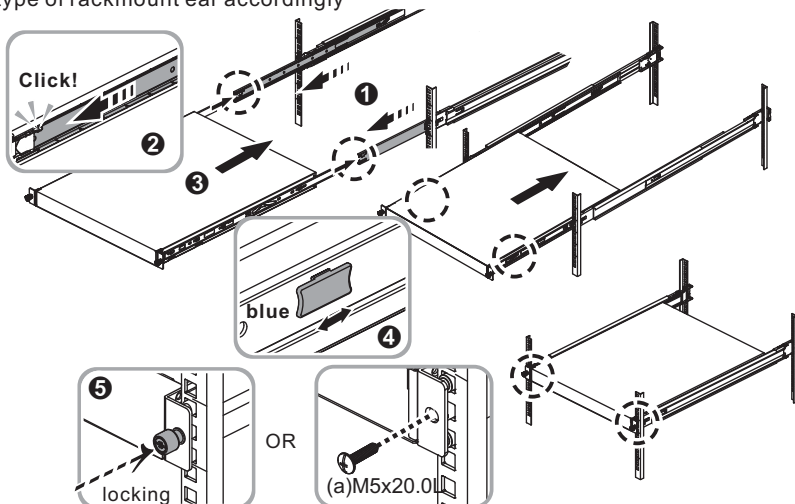
5) Insert the chassis to complete the installation.

1 2 Pull the middle rail fully extended in lock position, ensure ball bearing retainer is located at the front of the middle rail.

3 Insert the chassis into middle-outer rails.

4 When hit a stop, please pull/push the blue release tab on the inner rails.

5 Using rackmount ear to screw on the chassis. The screw type chosen by the type of rackmount ear accordingly



Remove the chassis from rack.

1 2 Loosen shipping screw to pull out chassis.

3 4 Press the disconnect tab forward to remove chassis.

