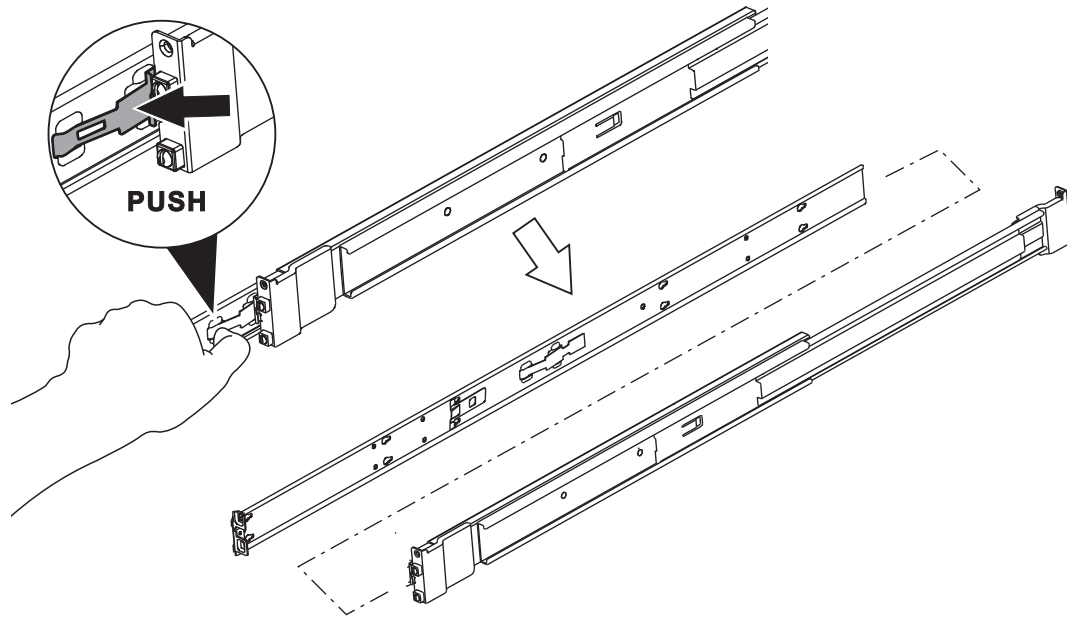
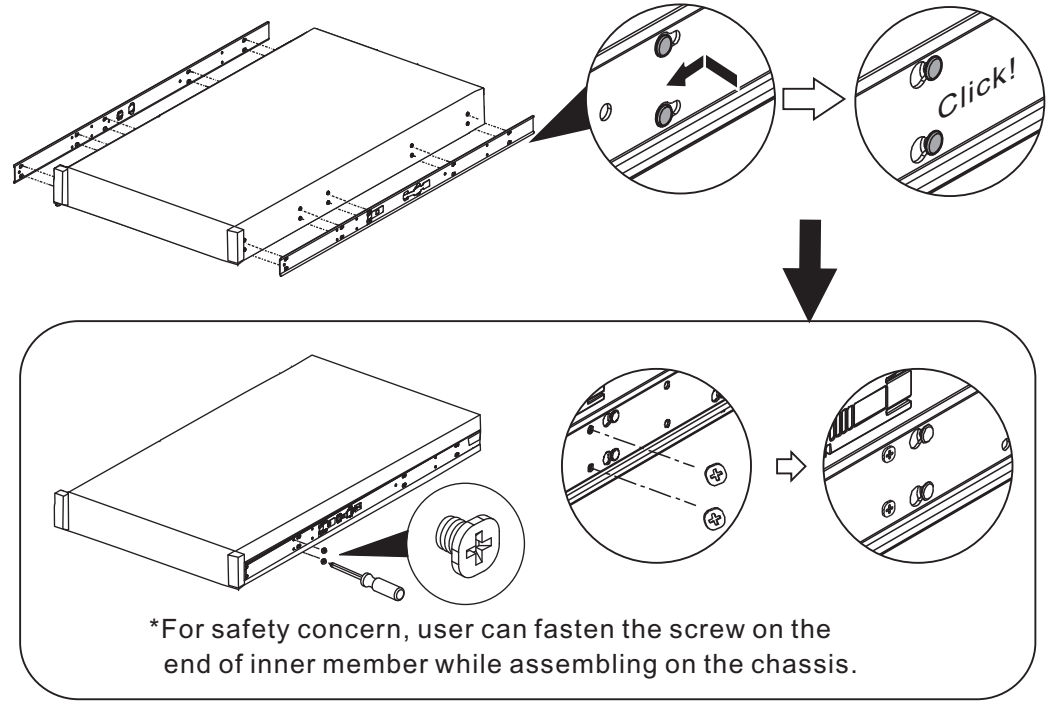


King Slide® — AH61-545

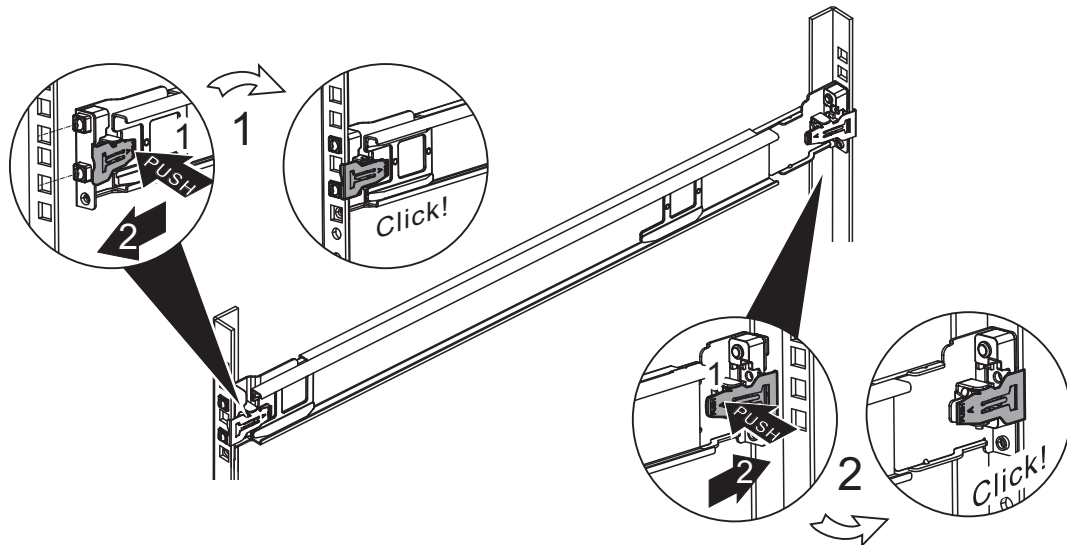
1. Release and detach the inner member from the slide.



2. Attach inner member to the chassis.



3. Attach outer member to the rack.



4. Insert the chassis to complete the installation.

